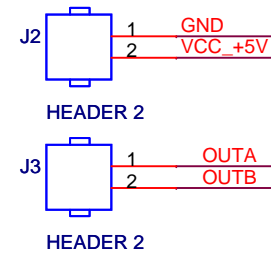
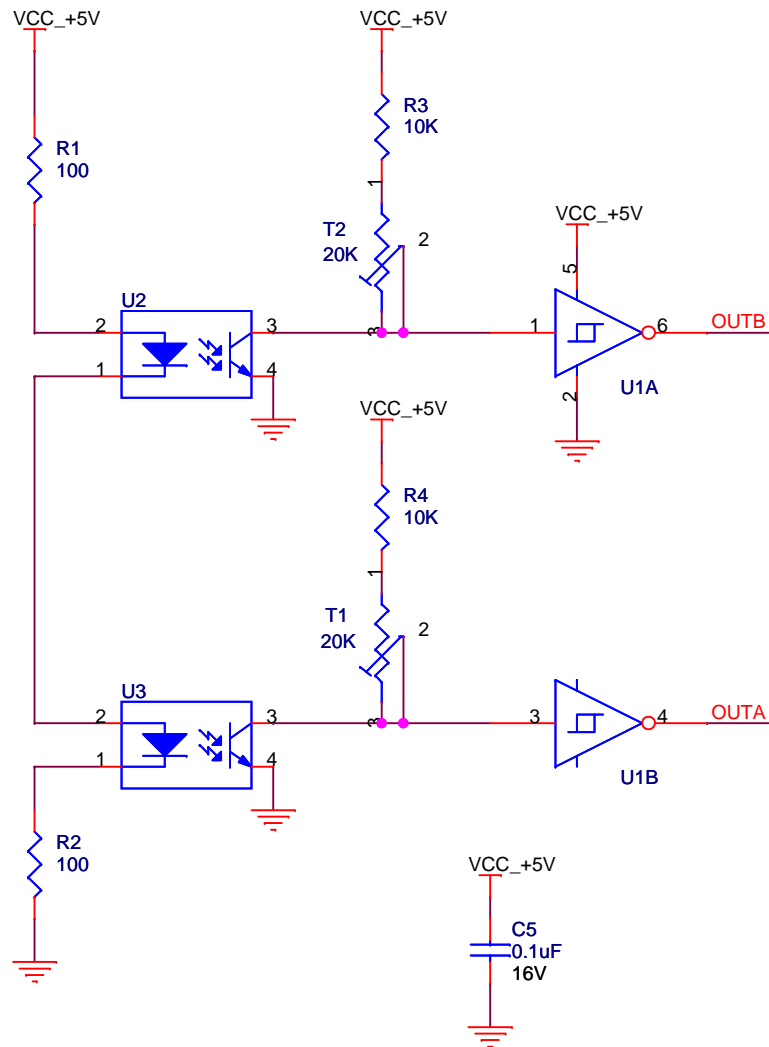


REVISION BLOCK

REV :	DESCRIPTION - ECO	APPROVED BY :	DATE :
A	Initial Release	G.Gonzalez	01/9/14



Notes:

1. All resistors are surface mount 0603 unless otherwise specified
2. Design suitable for +5V and +3.3V circuits, adjust T1 and T3
3. Use ground plane on bottom of board
4. Adjust T1 and T2 to obtain a 50% duty cycle on output waveforms

Designed by: Microelectronics California - USA		
Title Optical Encoder for Micromotor DC www.microelectronics.com		
Size A	Document Number 20-0023-01	Rev B
Date:	Thursday, March 06, 2014	Sheet 1 of 1